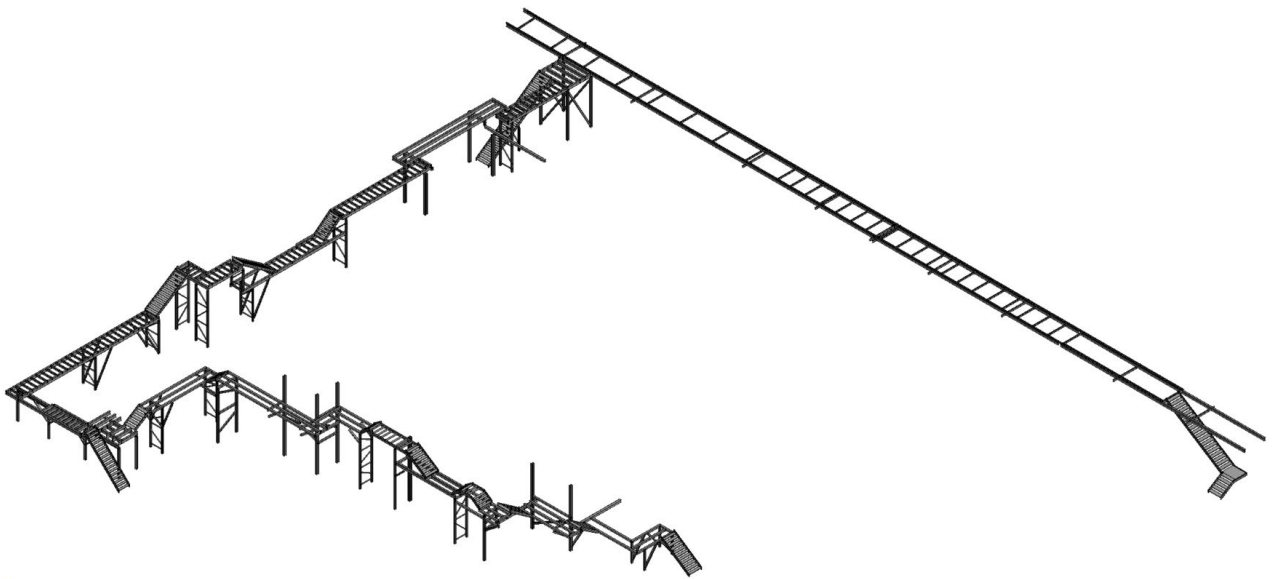
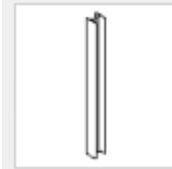


## SERVICIO PARA EL MANTENIMIENTO DE LA DOCUMENTACIÓN GRÁFICA BIM AL GRUPO TERSA. EXPEDIENTE CTTE 687



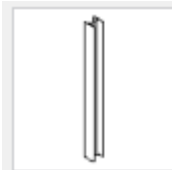
**MEDICIONES ESTRUCTURA PASARELA DE VISITAS PRODUCCIÓN****1.1 PILARES**

- PIL\_Pilar\_MetalicSimple\_HE100A: **2.77m**



STR\_Pilar\_MetalicSimple\_H  
PIL\_Pilar\_MetalicSimple\_HE100A

- PIL\_Pilar\_MetalicSimple\_HE120A: **25.86m**



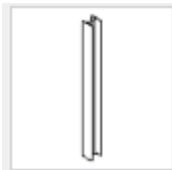
STR\_Pilar\_MetalicSimple\_H  
PIL\_Pilar\_MetalicSimple\_HE120A

- PIL\_Pilar\_MetalicSimple\_HE120B: **64.86m**



STR\_Pilar\_MetalicSimple\_HEB  
PIL\_Pilar\_MetalicSimple\_HE120B

- PIL\_Pilar\_MetalicSimple\_HE140A: **0.27m**



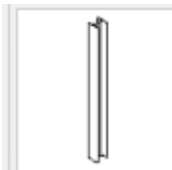
STR\_Pilar\_MetalicSimple\_H  
PIL\_Pilar\_MetalicSimple\_HE140A

- PIL\_Pilar\_MetalicSimple\_HE140B: **55.41m**



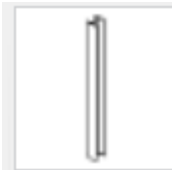
STR\_Pilar\_MetalicSimple\_HEB  
PIL\_Pilar\_MetalicSimple\_HE140B

- PIL\_Pilar\_MetalicSimple\_HE180A: **13.82m**



STR\_Pilar\_MetalicSimple\_H  
PIL\_Pilar\_MetalicSimple\_HE180A

- PIL\_Pilar\_MetalicSimple\_HE180B: **31.49m**



STR\_Pilar\_MetalicSimple\_HEB  
PIL\_Pilar\_MetalicSimple\_HE180B

- PIL\_Pilar\_MetalicSimple\_HE200B: **7.02m**

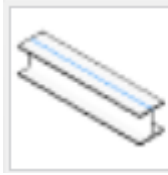


STR\_Pilar\_MetalicSimple\_H  
PIL\_Pilar\_MetalicSimple\_HE200B

## 1.2 VIGAS

---

- BIG\_Biga\_Acer\_HE100A: **46.71m**



STR\_Biga\_Acer\_HEA-B  
BIG\_Biga\_Acer\_HE100A

- BIG\_Biga\_Acer\_HE120A: **62.28m**



STR\_Biga\_Acer\_HEA-B  
BIG\_Biga\_Acer\_HE120A

- BIG\_Biga\_Acer\_HE140A: **124.75m**



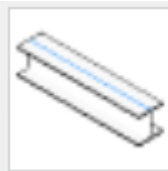
STR\_Biga\_Acer\_HEA-B  
BIG\_Biga\_Acer\_HE140A

- BIG\_Biga\_Acer\_HE140B: **3.51m**



STR\_Biga\_Acer\_HEA-B  
BIG\_Biga\_Acer\_HE140B

- BIG\_Biga\_Acer\_HE160B: **5.90m**



STR\_Biga\_Acer\_HEA-B  
BIG\_Biga\_Acer\_HE160B

- BIG\_Biga\_Acer\_HE180A: **4.62m**



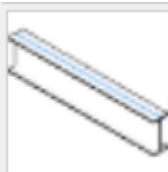
STR\_Biga\_Acer\_HEA-B  
BIG\_Biga\_Acer\_HE180A

- BIG\_Biga\_Acer\_HE180B: **4.52m**



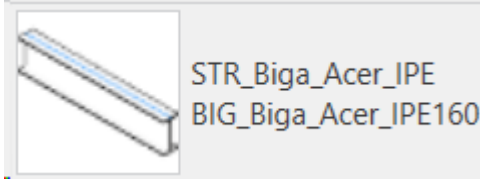
STR\_Biga\_Acer\_HEA-B  
BIG\_Biga\_Acer\_HE180B

- BIG\_Biga\_Acer\_IPE140: **130.84m**



STR\_Biga\_Acer\_IPE  
BIG\_Biga\_Acer\_IPE140

- BIG\_Biga\_Acer\_IPE160: **4.44m**



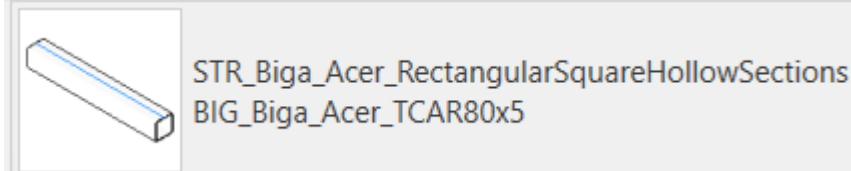
- BIG\_Biga\_Acer\_IPE180: **10.28m**



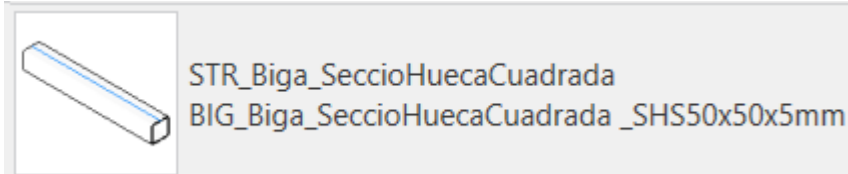
- BIG\_Biga\_Acer\_IPE240: **367.73m**



- BIG\_Biga\_Acer\_TCAR80x5: **12.54m**



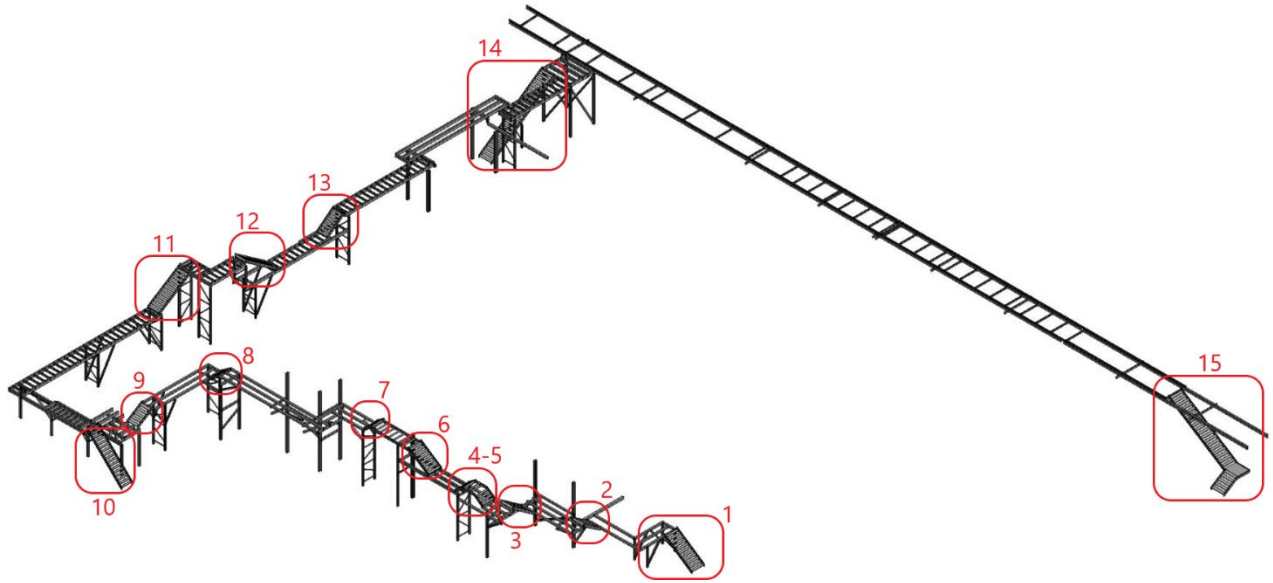
- BIG\_Biga\_SeccioHuecaCuadrada\_SHS50x50x5mm: **71.53m**



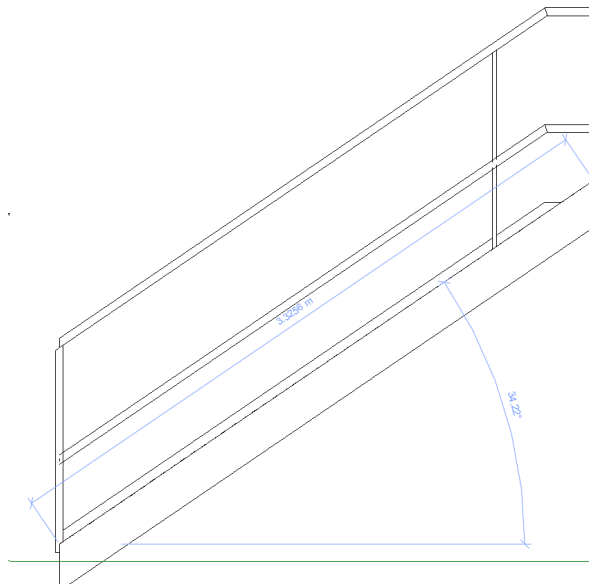
- COR\_Biga\_Acer\_IPE120: **205.70m**



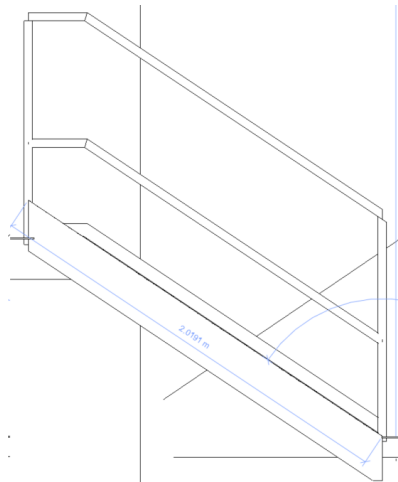
### 1.3 ESCALERAS



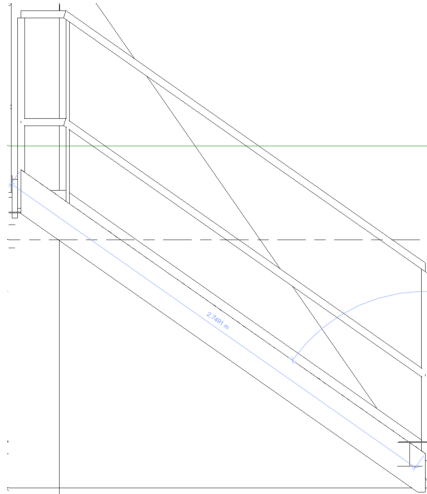
- Stringer - 20 mm Width: **95.85m**
- 1.  $3.33 \times 2 = 6.66m$



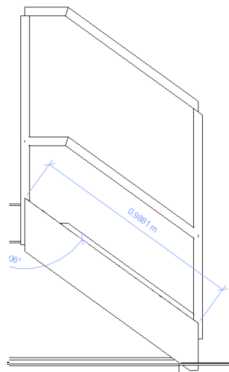
- 2.  $2.02 \times 2 = 4.04m$



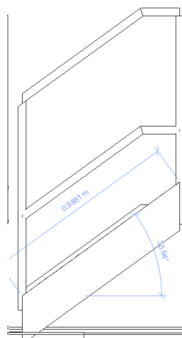
3.  $2.75 \times 2 = 5.5\text{m}$



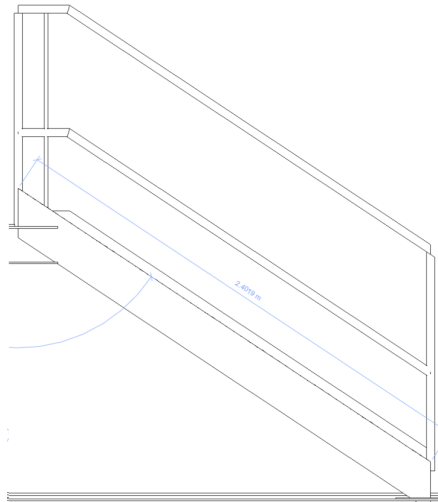
4.  $0.99 \times 2 = 1.98\text{m}$



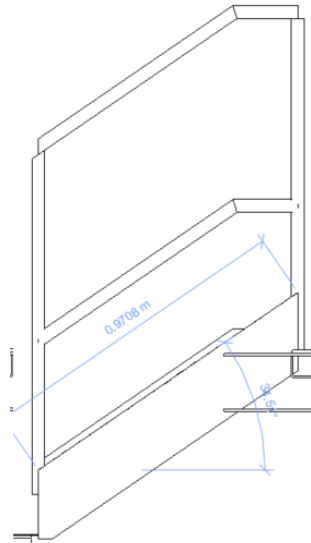
5.  $0.99 \times 2 = 1.98\text{m}$



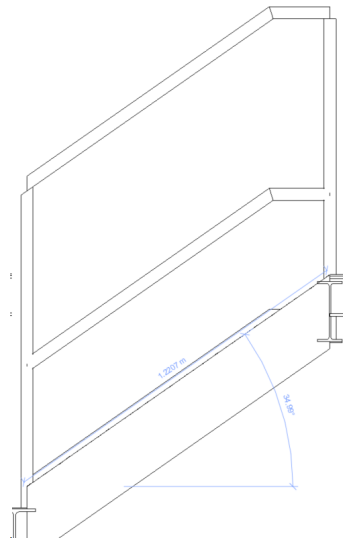
6.  $2.40 \times 2 = 4.80\text{m}$



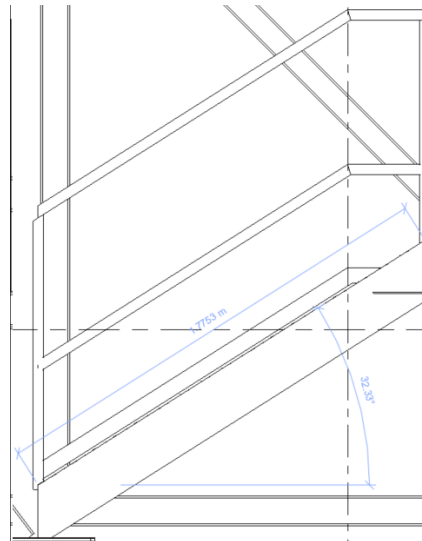
7.  $0.97 \times 2 = 1.94\text{m}$



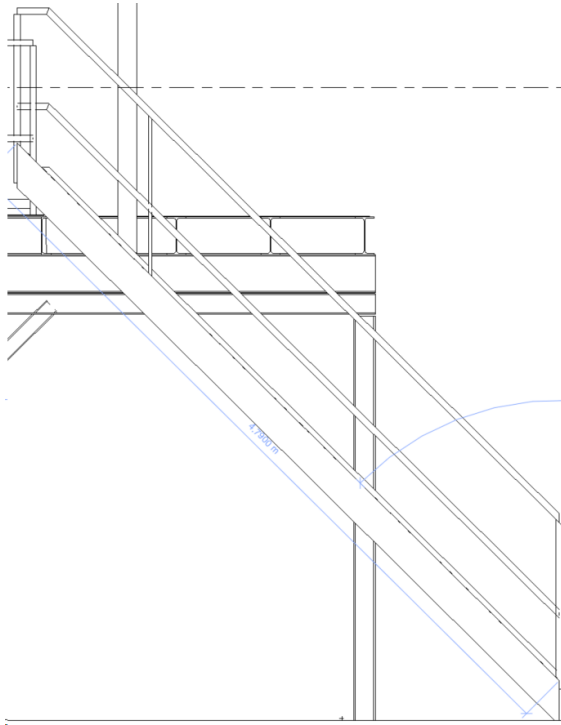
8.  $1.22 \times 2 = 2.44\text{m}$



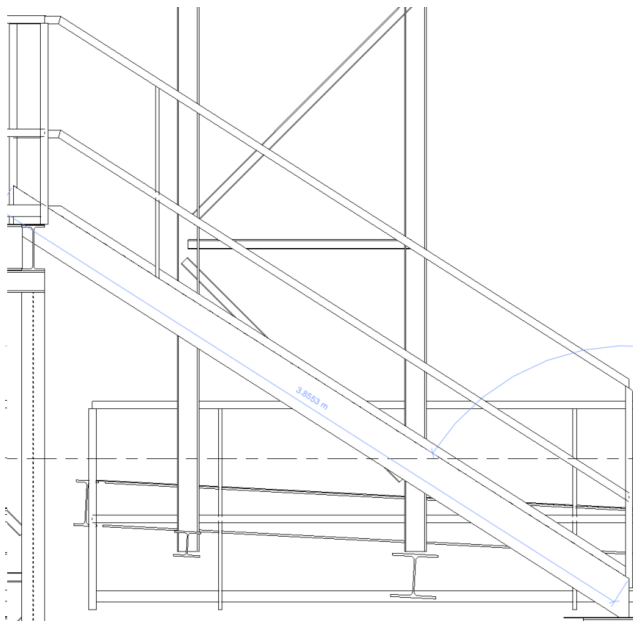
9.  $1.78 \times 2 = 3.56\text{m}$



10.  $4.79 \times 2 = 9.58\text{m}$

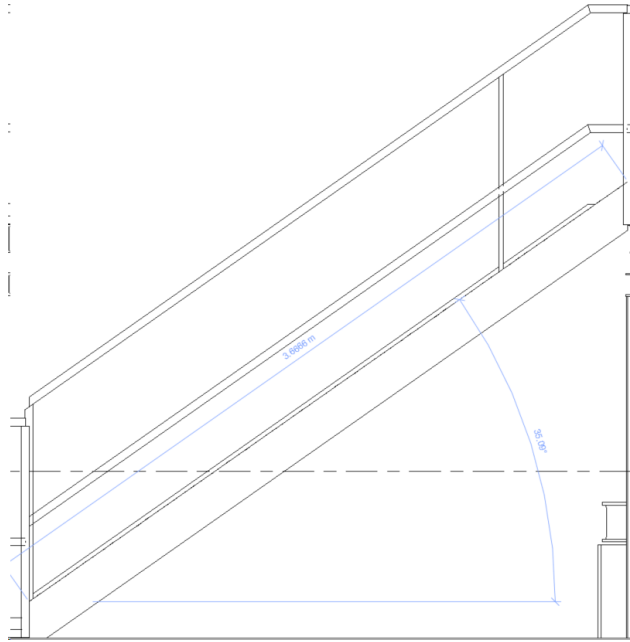


11.  $3.86 \times 2 = 7.72\text{m}$

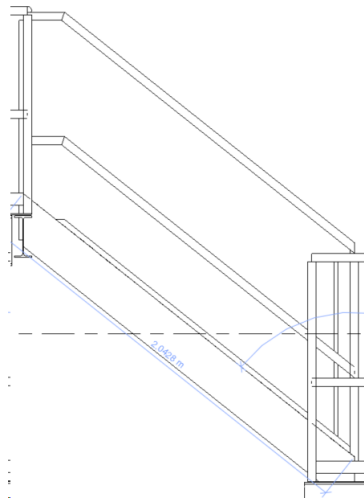




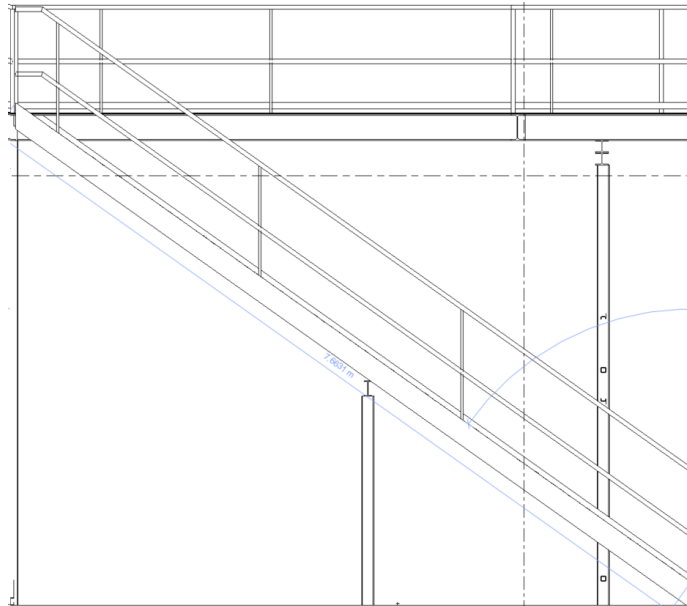
12.  $3.67 \times 2 = 7.34\text{m}$



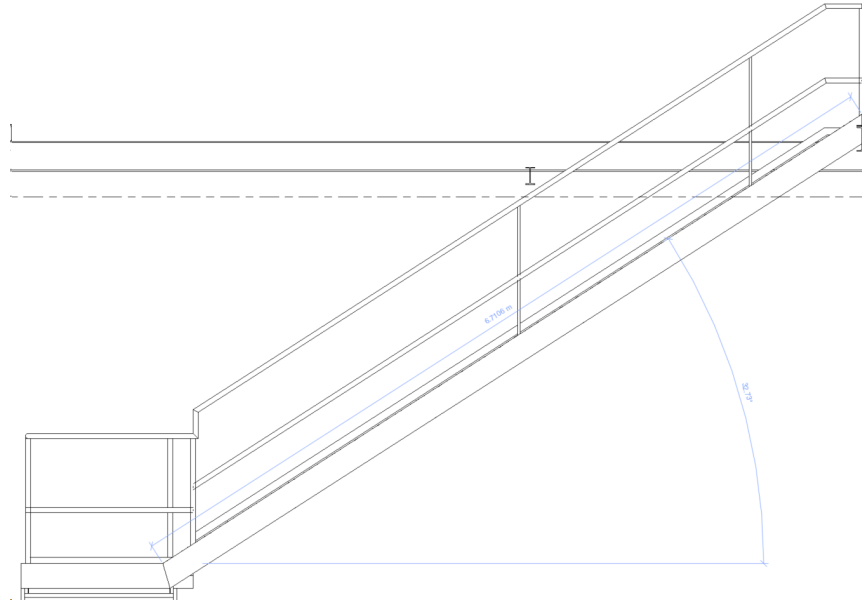
13.  $2.04 \times 2 = 4.08\text{m}$



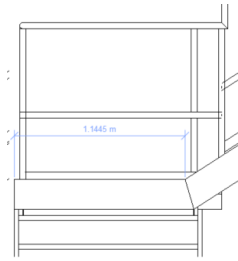
14.  $7.66 \times 2 = 15.32\text{m}$



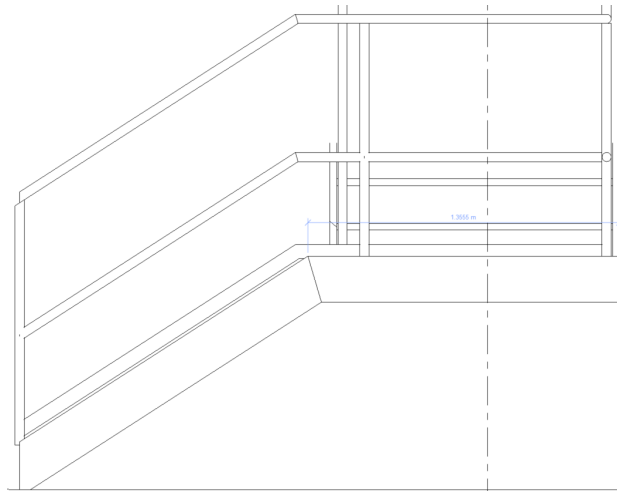
15.  $6.71 \times 2 = 13.42\text{m}$



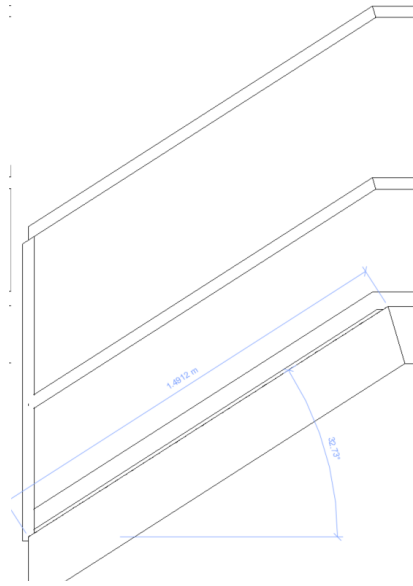
1.15x1= 1.15m



1.36x1= 1.36m



1.49x2= 2.98m



	Zanca Stringer - 20 mm Width
--	---------------------------------